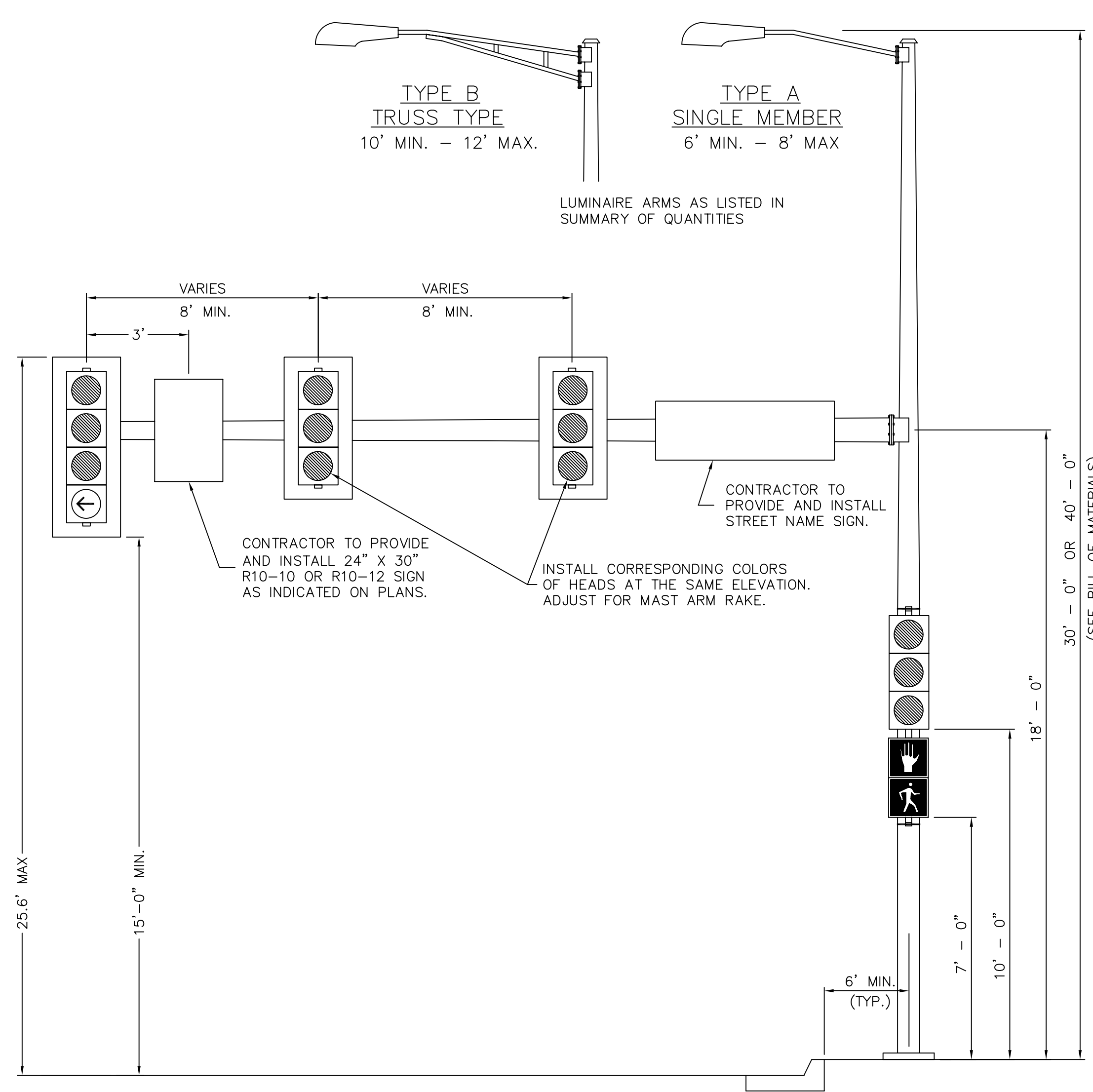
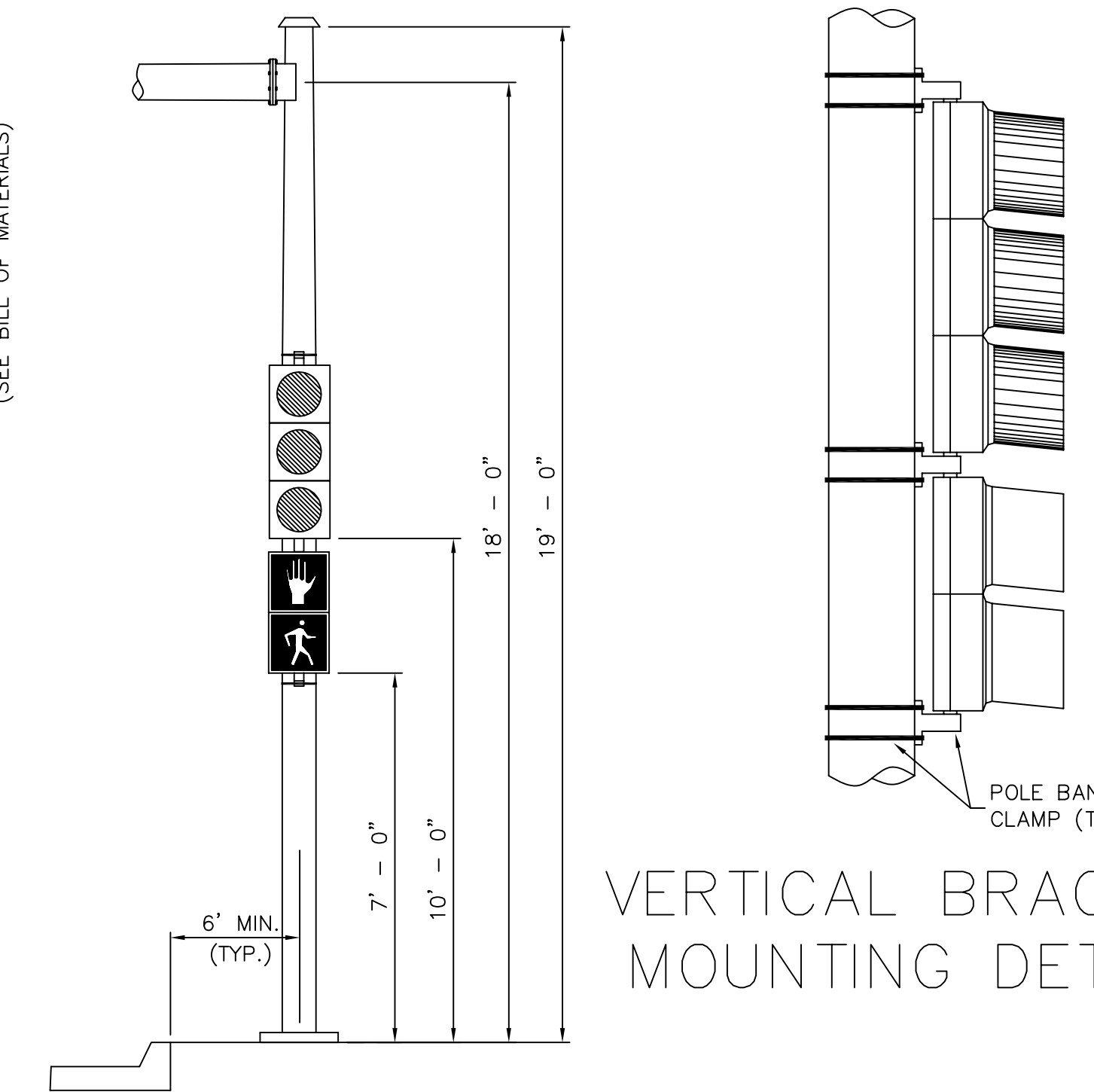


ALUMINUM SIGNAL PEDESTAL

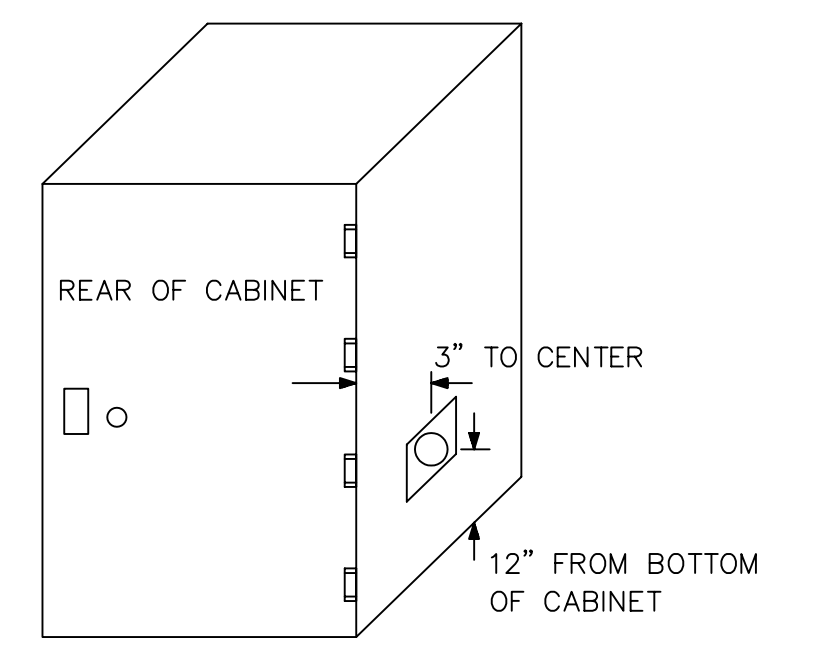


STEEL COMBINATION LIGHTING AND SIGNAL POLE

- POLE/SIGNAL HEAD NOTES:
1. THE MAST ARM SHALL BE ATTACHED TO THE POLE AFTER THE POLE HAS BEEN ERECTED.
 2. THE ENGINEER IN CHARGE OF CONSTRUCTION WILL DETERMINE THE ORIENTATION OF SIGNAL HEADS TO BE MOUNTED ON THE SIDES OF POLES.
 3. EACH SIGNAL HEAD, PUSH BUTTON AND LUMINAIRE SHALL HAVE A SEPARATE RUN(S) OF CABLE FROM THE HANDHOLE IN THE POLE BASE. UNLESS OTHERWISE NOTED IN THE PLANS, THE CABLES SHALL BE SIZED AS FOLLOWS:
 - VEHICULAR SIGNAL HEAD - ONE 7c
 - PEDESTRIAN SIGNAL HEAD - ONE 5c
 - PUSH BUTTON - ONE 2c
 - LUMINAIRE - ONE 2c
 4. ALL SIGNS SHALL BE MOUNTED WITH CABLE-TYPE ASTRO-BRACKETS.
- SPLICES AT THE HANDHOLE SHALL BE MADE WITH WIRE NUTS SECURED WITH ELECTRICAL TAPE. EXCESS CABLE SHALL BE PROVIDED TO ALLOW THE SPLICES TO BE PULLED AT LEAST ONE FOOT OUTSIDE THE HANDHOLE.

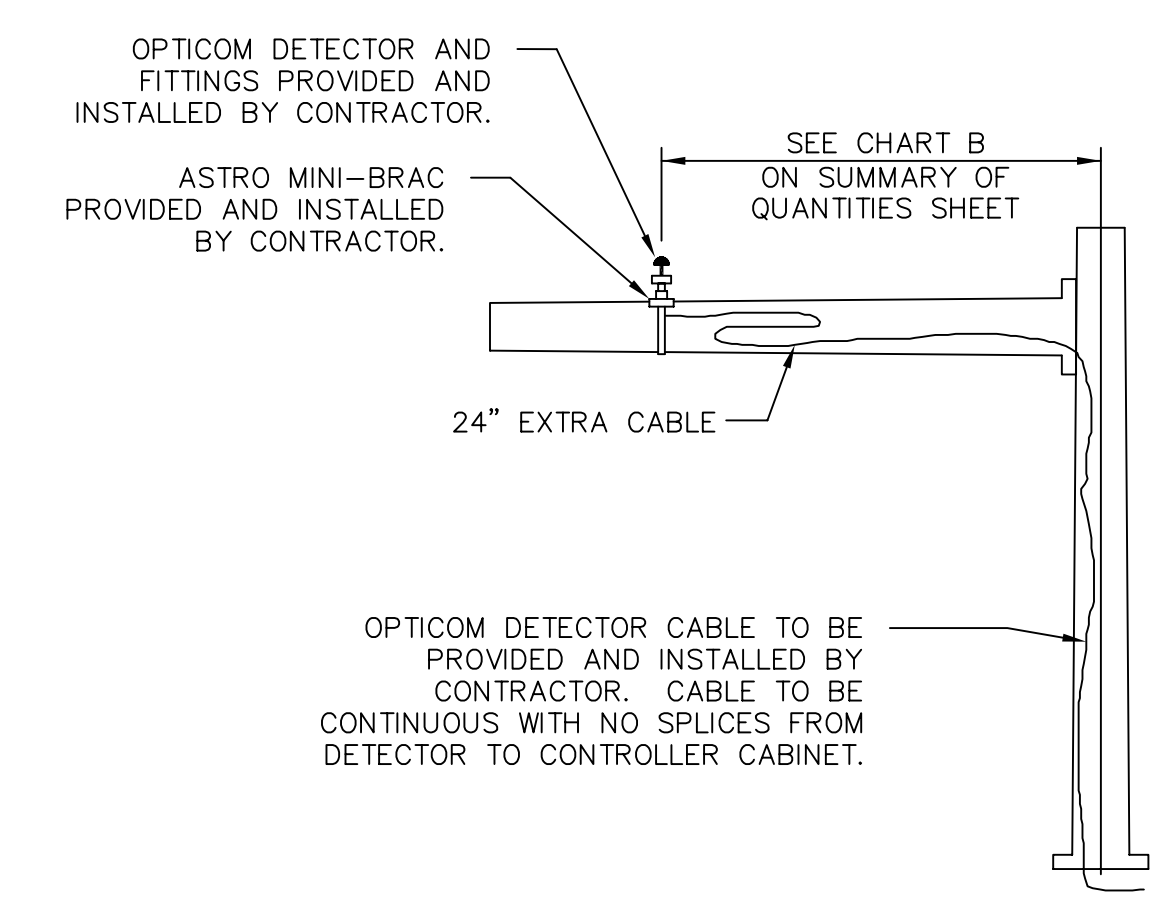


VERTICAL BRACKET MOUNTING DETAIL

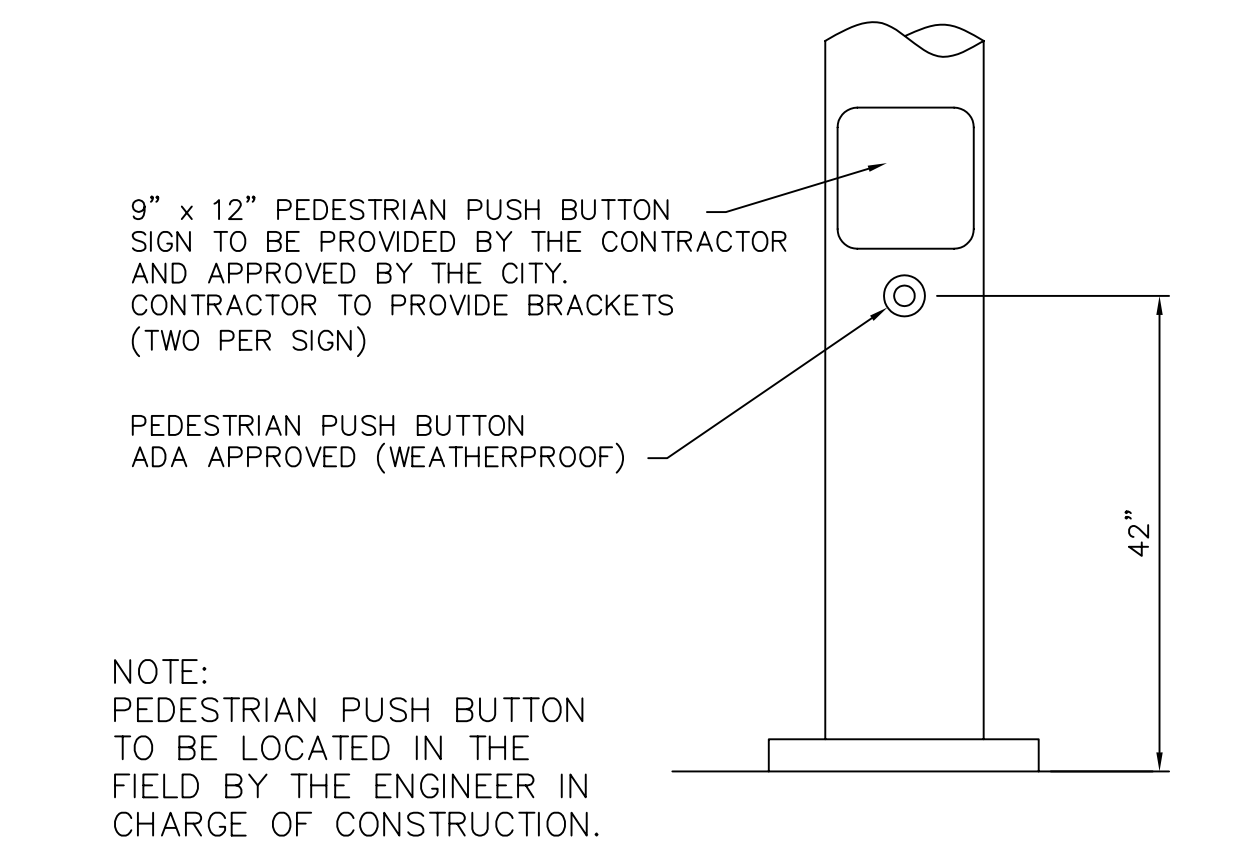


GENERATOR RECEPTACLE DETAIL

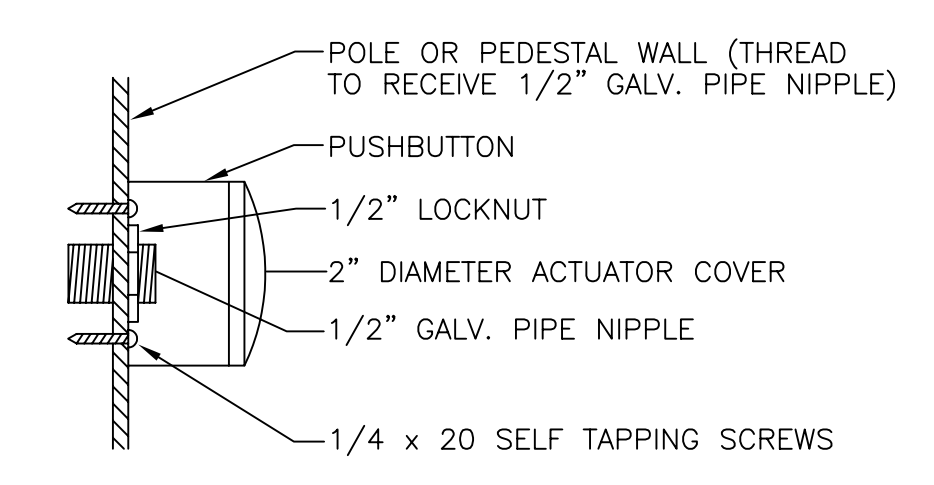
DRILL 3.5" HOLE FOR OUTLET PLUG. MOUNT WITH 4-3/16" x 1" (NUT/BOLT). RUN 3-14 GAUGE WIRES TO CABINET SERVICE INPUT PANEL (TBS). INSTALLATION SIDE SHOULD BE AWAY FROM STREET; HOWEVER, LOCATION MAY REQUIER ADJUSTMENT.



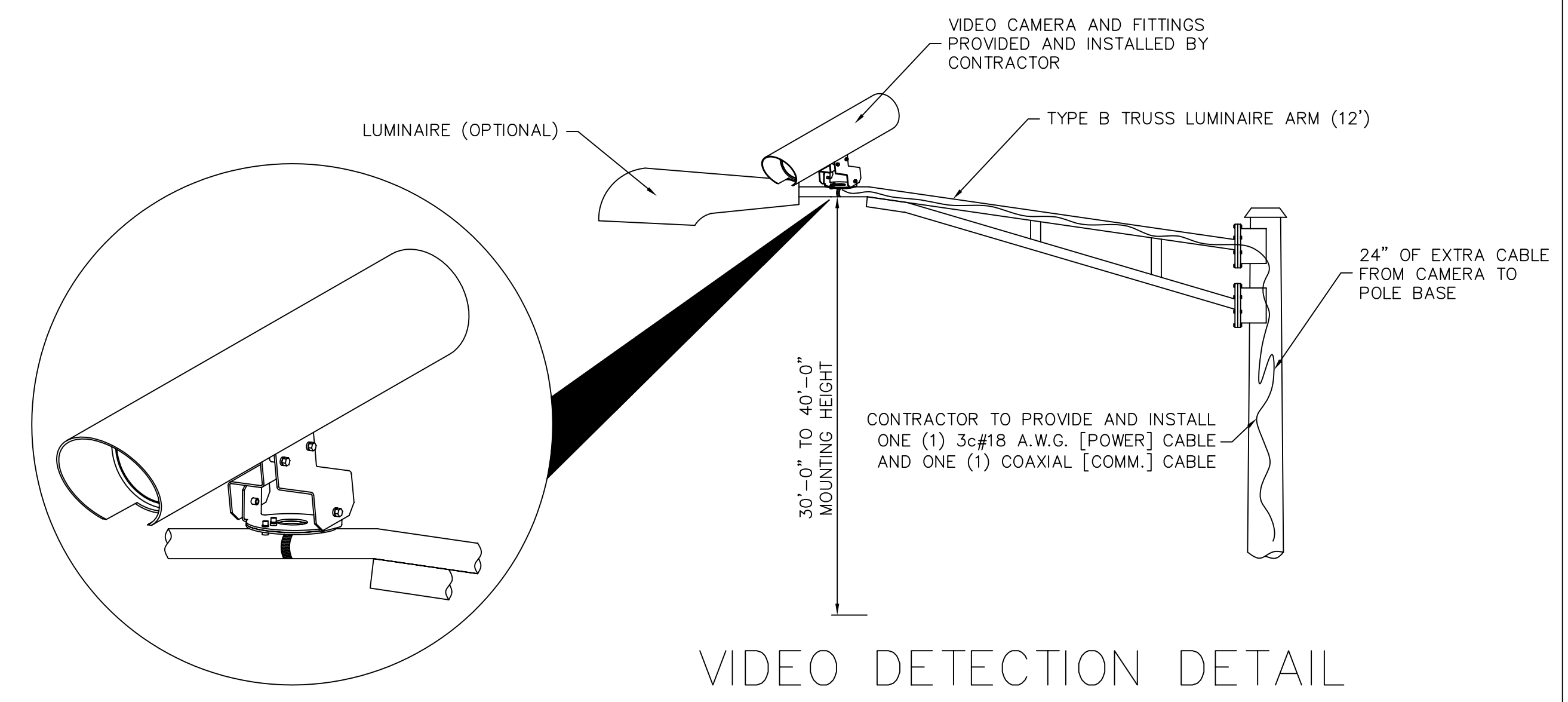
OPTICOM DETAIL



TYPICAL DETAIL PEDESTRIAN PUSH BUTTON



PUSHBUTTON MOUNT DETAIL



VIDEO DETECTION DETAIL

DATE	REVISION	BY	APPR
TRAFFIC SIGNAL INSTALLATION POLES, SIGNAL HEADS, PUSH BUTTONS and VIDEO DETECTION PROJECT PUBLIC WORKS - ENGINEERING			
PROJ. NO.	XX-XXXX	TSDETAIL04.DWG	02 JAN 02
DATE	XX-XX-XXXX	DETAIL 4 of 6	
DESIGNED	XXX		
DESIGN CK	XXX		
DETAILED	XXX		
DETAIL CK	XXX		
		SHEET	X OF XX

